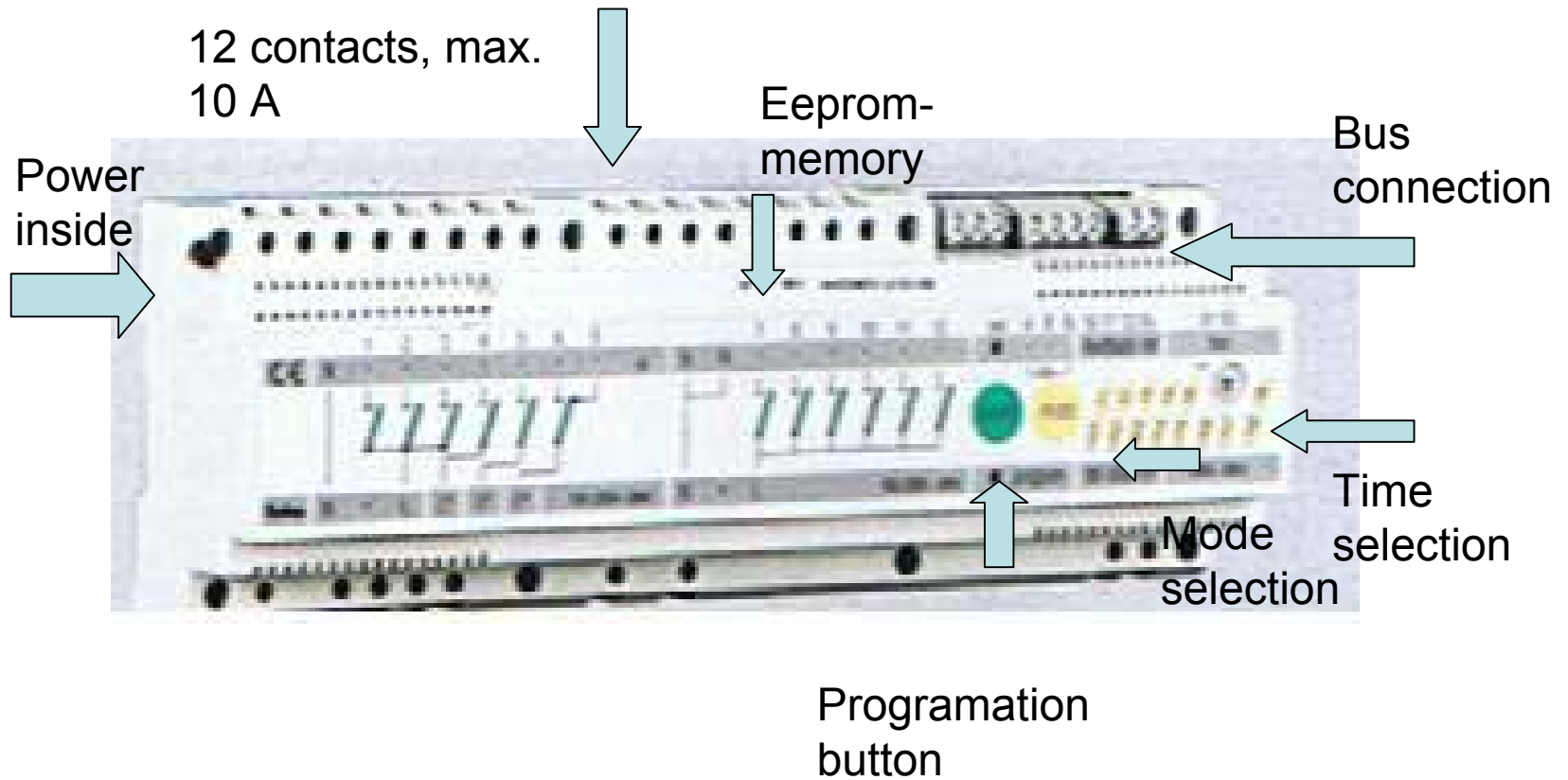


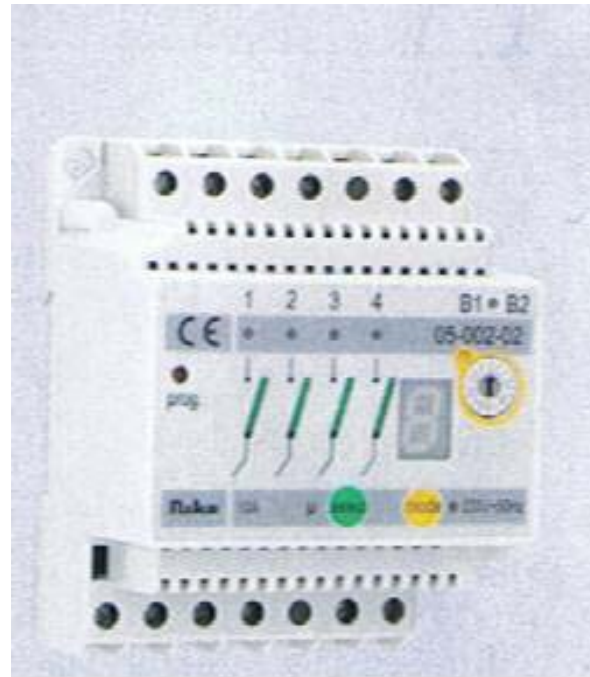
Nikobus Domotic Solutions

1. modules

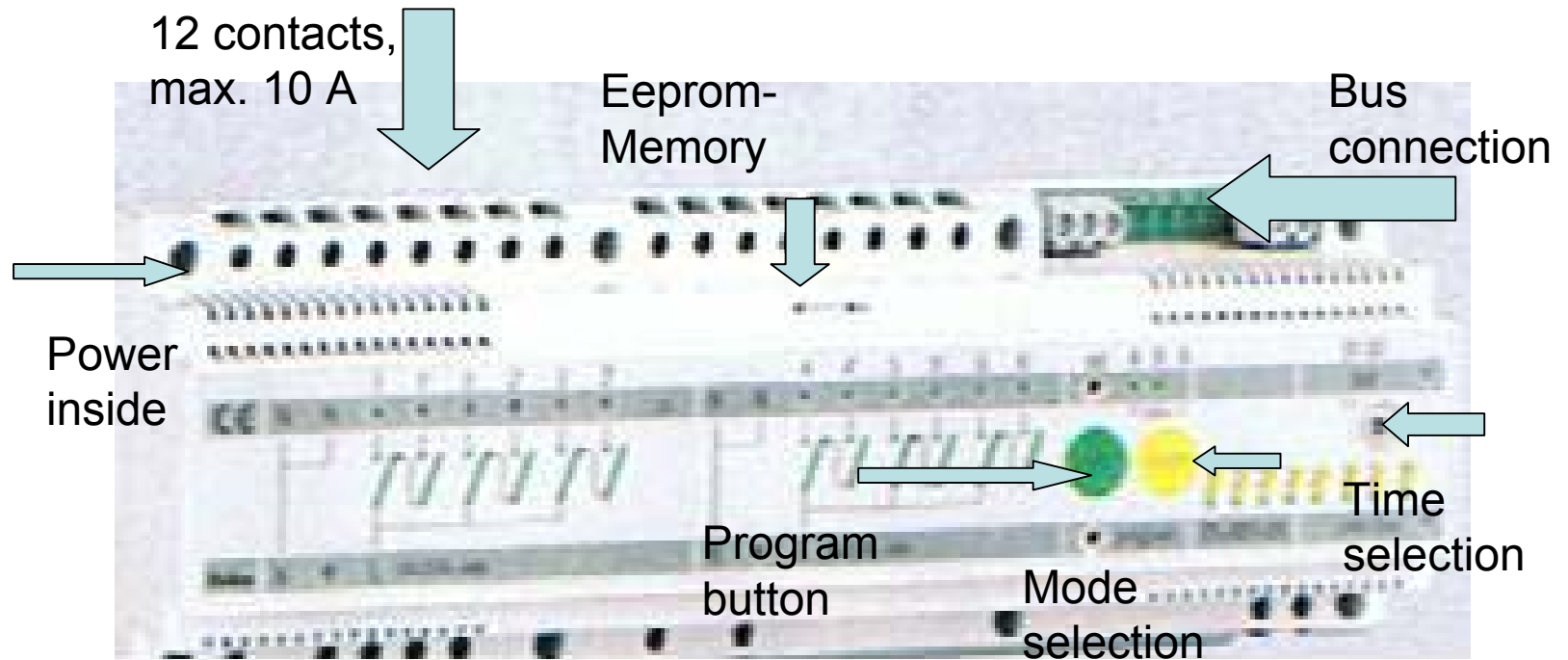
1.1 Switch module



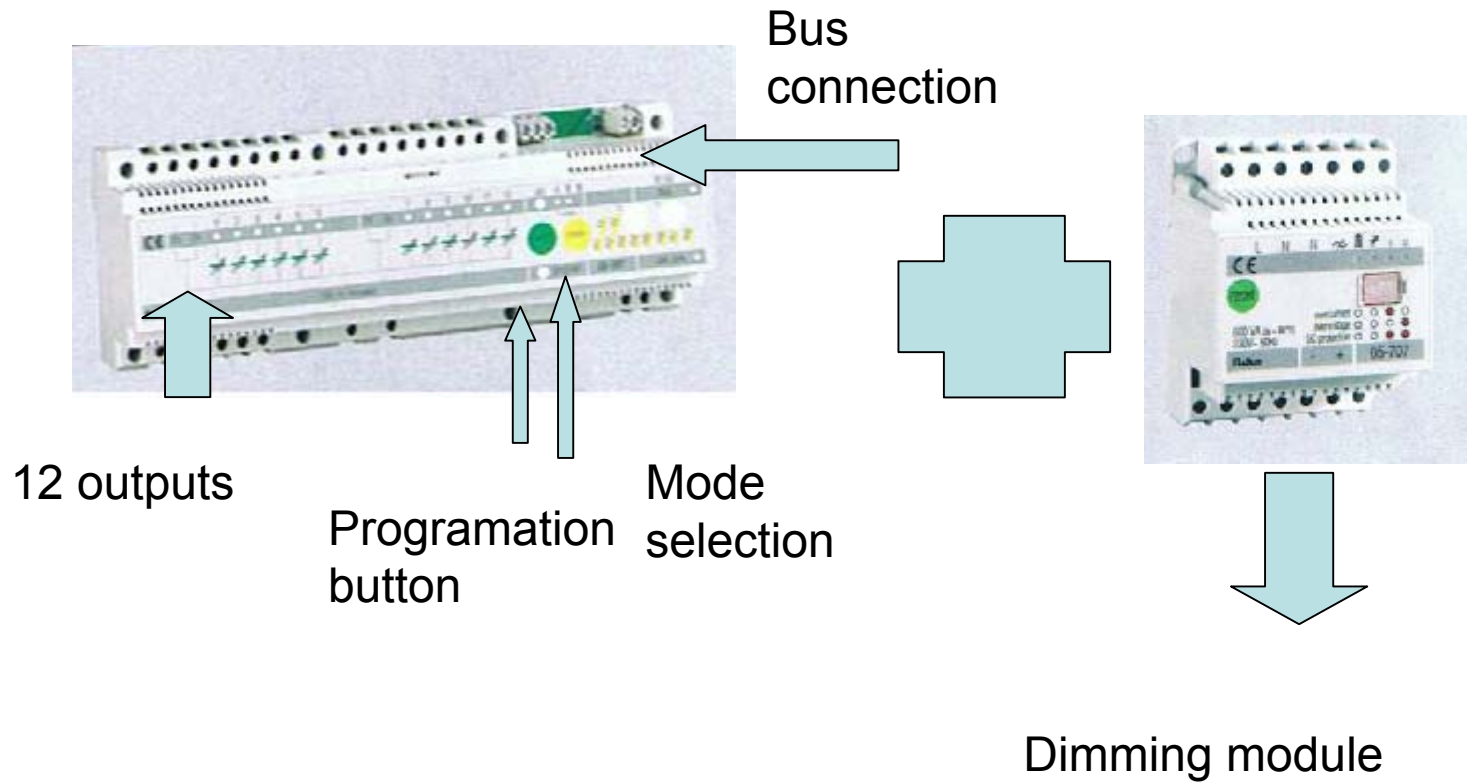
1.2 Compact switch module



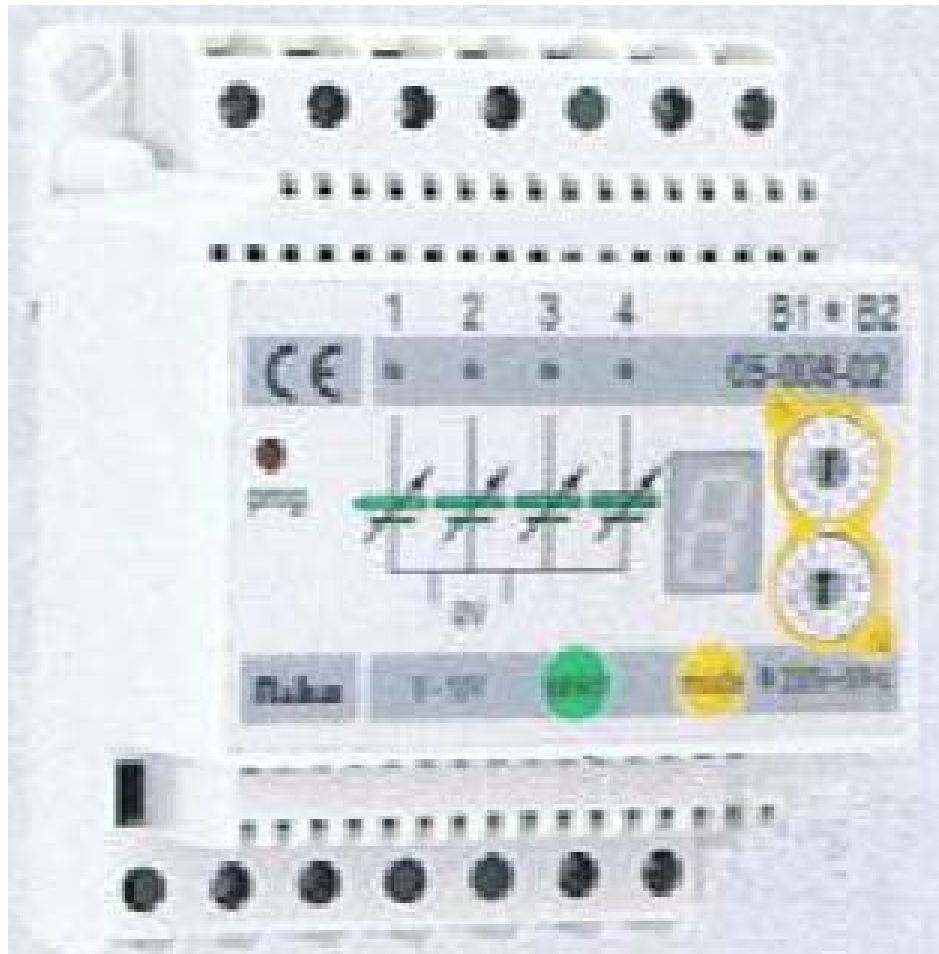
1.3 Shuttermodule



1.4 Dimcontroller



1.5 Compact Dimmmodule



2. Switches

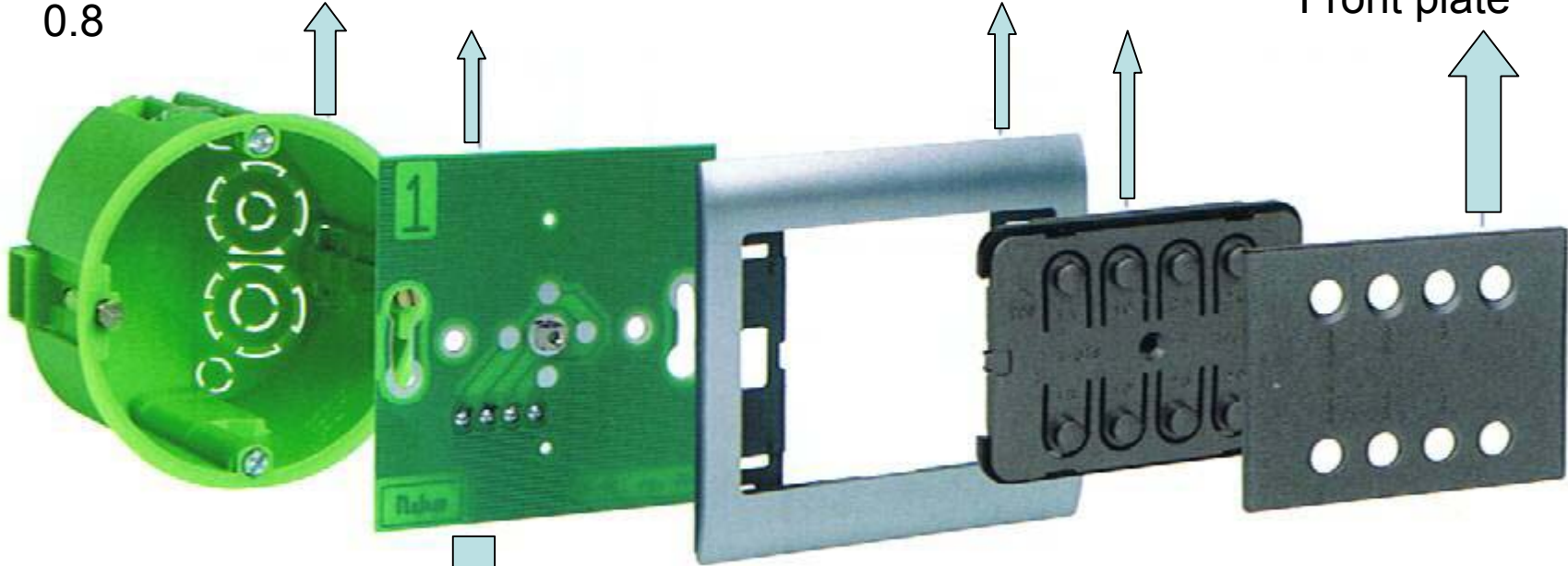
Wall box 2
wire svv 4 X
0.8

print

Frame

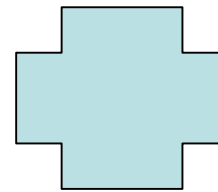
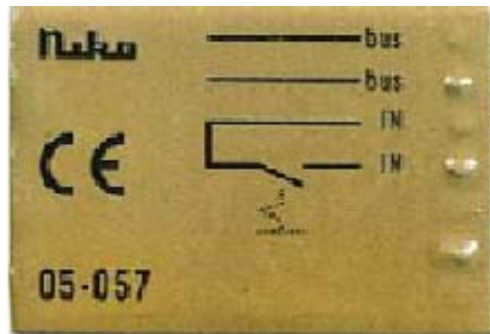
Switch

Front plate



Normal switch

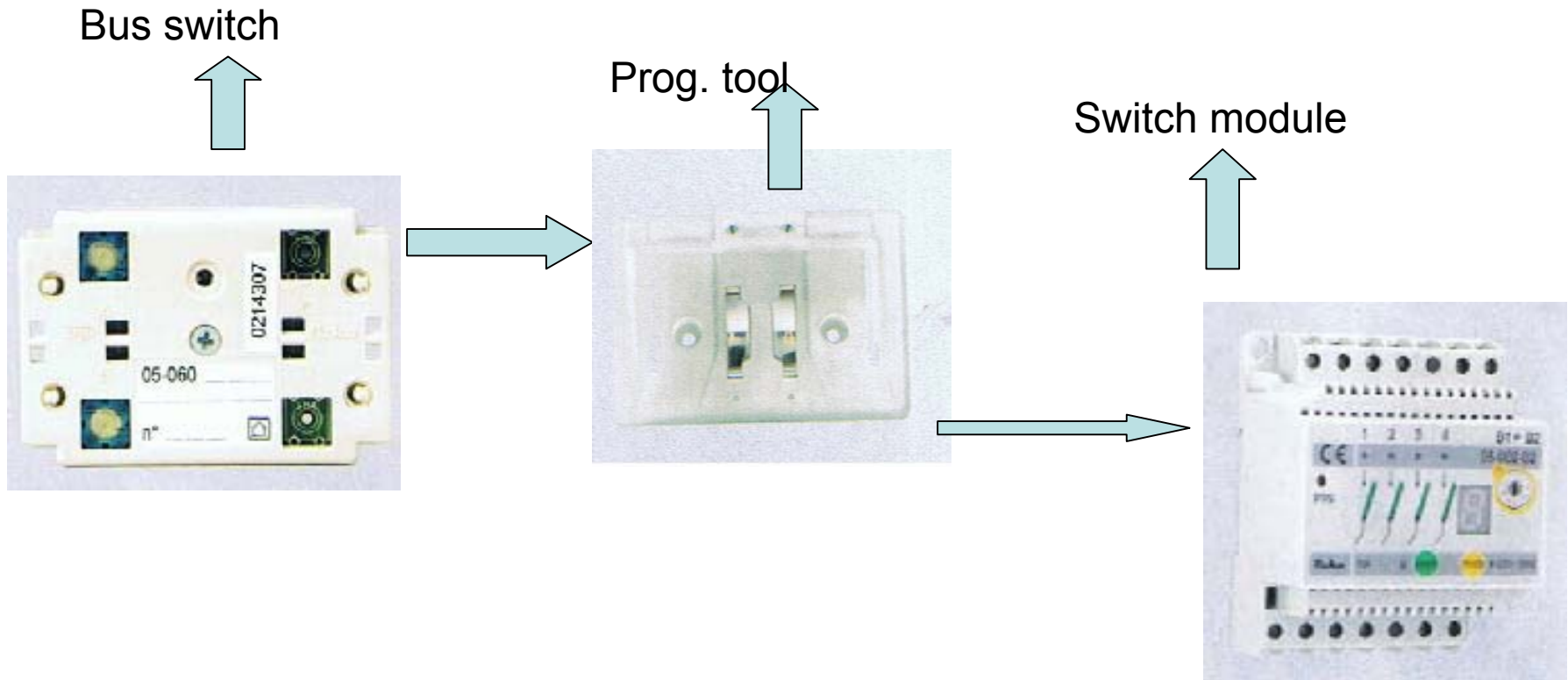
interface



3. Programmation

3.1 programmation

1. Basic programmation: screwdriver



3.2. How to do?



Screwdriver



Programmation button



Channel selection: yellow
button(1-12)



Mode selection : green
button



Types of modes for switching module

1. On/off
2. On (operating time)
3. Off (operating time)
4. Impuls
5. Off with delay
6. On with delay
7. Light scene
8. Flashing



Screwdriver

End of programation

2. Programmation with software

PC- link module



Adressing modules



Adressing switches



Connecting switches with outputs of modules, combined with mode and time selection

Link editor

Uitgang

- [-] 🏠 Verdeelbord_1
 - [-] 📄 D1: Dimcontroller module
 - 🕒 01: Dimmeroutput
 - 🕒 02: Dimmeroutput
 - 🕒 03: Dimmeroutput
 - 🕒 04: Dimmeroutput
 - 🕒 05: Dimmeroutput
 - 🕒 06: Dimmeroutput
 - 🕒 07: Dimmeroutput
 - 🕒 08: Dimmeroutput
 - 🕒 09: Dimmeroutput
 - 🕒 010: Dimmeroutput
 - 🕒 011: Dimmeroutput
 - 🕒 012: Dimmeroutput
 - [-] 📄 R1: Rolluk module
 - [-] 📄 S1: Schakel module

Link mode

M04 (steer aan) ▼

Geen parameter

..... ▼

T2

1 s ▼

AB conditie

geen ▼

Voeg link toe

Weg de link toegevoegd is

Ingang

- [-] 🏠 Keuken
 - [-] 📄 BP1: 2 Bedieningsknoppen • LE
 - 🔴 A: Input
 - 🔴 B: Input
 - [-] 📄 BP6: 2 Bedieningsknoppen IR
- [-] 🏠 Living
 - [-] 📄 BP2: 2 Bedieningsknoppen Graf
 - [-] 📄 BP3: 4 Bedieningsknoppen Ster
 - [-] 📄 BP4: 8 Bedieningsknoppen Graf
- [-] 🏠 Badkamer
 - [-] 📄 BP5: 4 Bedieningsknoppen

Toon enkel ongebruikte ingangen



Exit

Extra modules



Logical functionality, 64 gates



Wireless modules RF interface



Binary interface 6 inputs



Two channels clock



Telephone module 1 or 4 channel



Brightness switch



Audio link module

Audio System



The connection between Nikobus and Allegretto

Overview





Contolling audio up to eight rooms



Build in reciever 4X 20 W, 4 ohm



IR controlabel



RS232, RS485
connection



Possibilities

1. Selection of the inputs 1-8
2. Skip
3. Volume up-down
4. Zone on/off
5. Bass
6. Treble
7. Balans
8. presets

In general



Small system: on/off, stores,
music, light control (dimming),
atmospheres



Easy to program, rather, limited



No direct thermostat on the bus



No touchscreen



Stand alone system